

**Air Jet Nozzle Blower type**



Optimized pinpoint blow

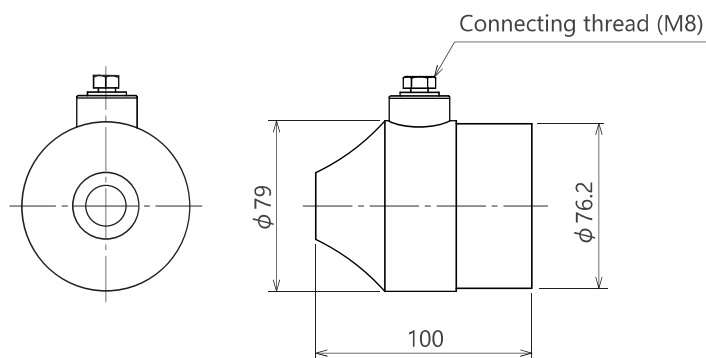


● Aluminum (anodic oxide-coated)



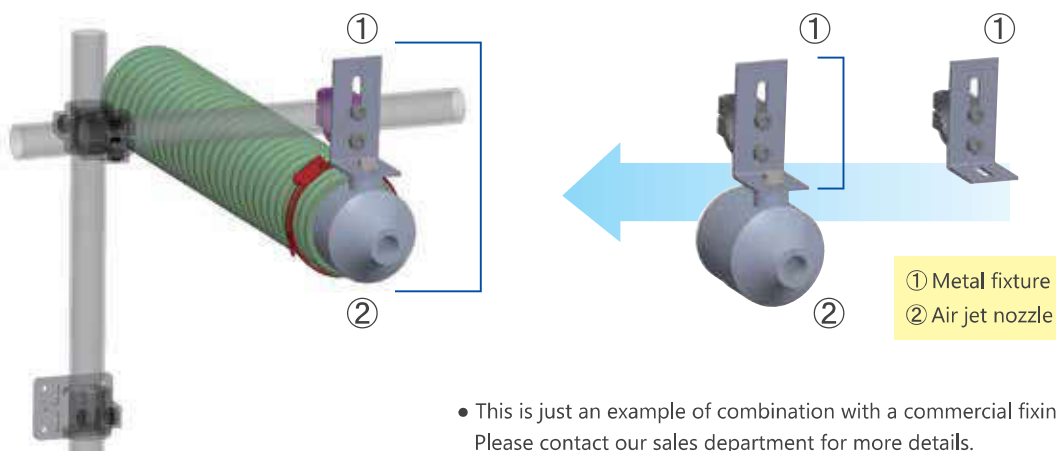
Shapes and dimensions

《AJ - B190A》



Model	Model No.	Min. orifice diameter [mm]	Weight [g]
AJ	B190A	19	710

● Nozzle installation example



① Metal fixture  
② Air jet nozzle

- This is just an example of combination with a commercial fixing bracket. Please contact our sales department for more details.
- Make sure that the air inlet joint is firmly secured. Depending on the situation, the hose might be required.

